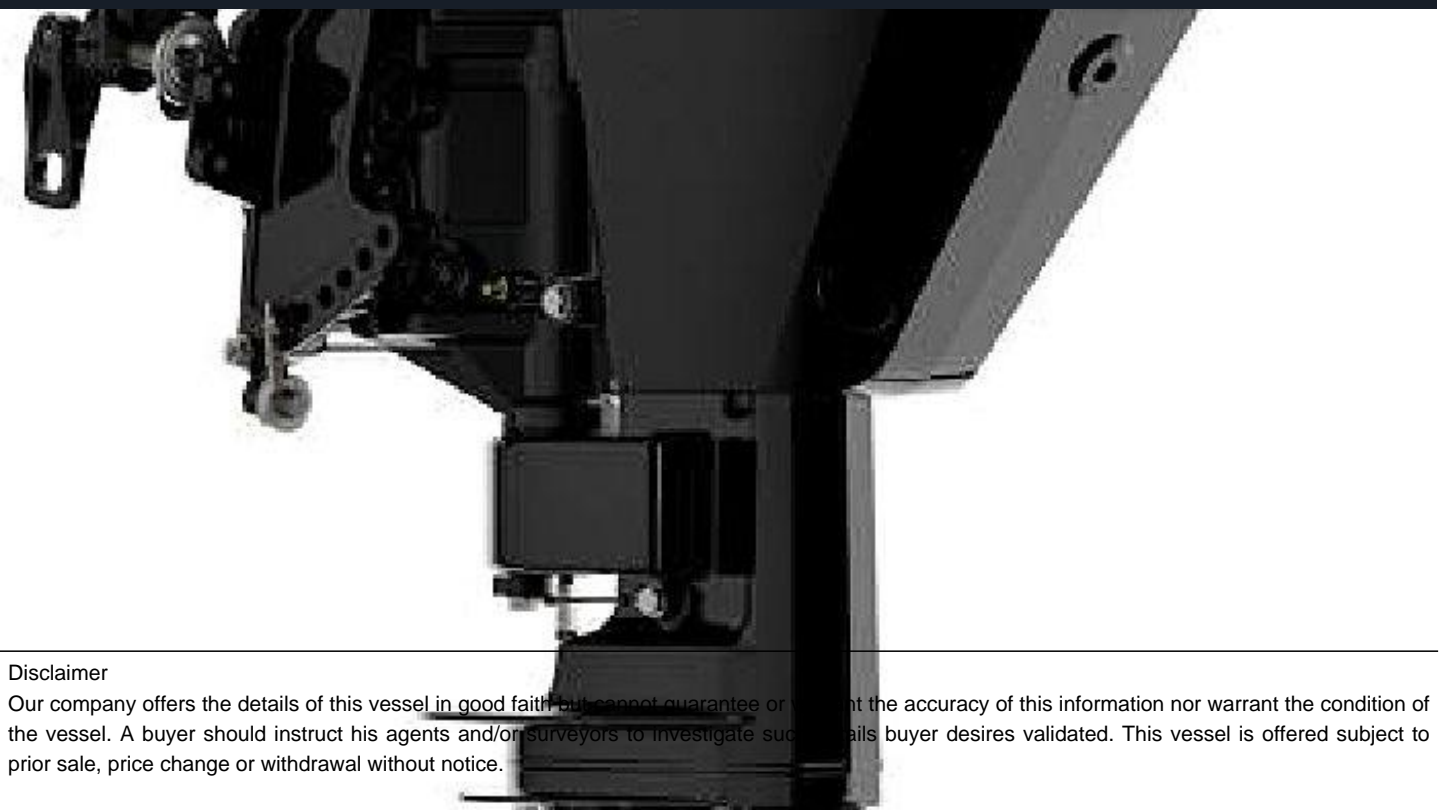




## 20 HP EFI Fourstroke

POA



### Disclaimer

Our company offers the details of this vessel in good faith but cannot guarantee or warrant the accuracy of this information nor warrant the condition of the vessel. A buyer should instruct his agents and/or surveyors to investigate such details buyer desires validated. This vessel is offered subject to prior sale, price change or withdrawal without notice.

## Specifications

### Boat Details

Price	POA	Boat Brand	Mercury
Model	20 HP EFI	Length	0.00
Year	2024	Category	Boat Engines and Outboards
Hull Style		Hull Type	
Power Type		Stock Number	0
Condition	New	State	New South Wales
Suburb	ROZELLE	Engine Make	Mercury

### Description

The game has changed... The ALL NEW Mercury 20hp FourStroke battery-free EFI changes the way you will think about portable outboards. Lighter, more powerful, more efficient, more durable, more intuitive... unlike any other portable fourstroke.

- Our lightest 20hp FourStroke ever
- Best in class performance
- Battery Free EFI for fast, reliable starting
- New exclusive multi-functional tiller handle, adjustable for left or right handed operation

All recreational Mercury outboard models from the 2.5 - 350hp range now come with 3+3= 6 years of warranty coverage. World class engines, world class support, that's what you get when you buy a Mercury.

HP / kW 20 / 14.7

Engine type Inline 2

Displacement (CID/CC) 20.3 / 333

Full throttle RPM 5700 - 6200

Fuel induction system Single Overhead Cam

Alternator amp / Watt 12/145 electric

Recommended fuel 87% octane / up to 10% ethanol

Recommended oil 25W-40 Synthetic Blend

Mercury FC-W 10W-30 4-Stroke Marine Oil

Engine protection operator warning system SmartCraft Engine Guardian

Starting Electric

Manual

Steering Remote

Tiller

Shaft length 15" / 381 mm

20" / 508 mm

Gearcase ratio 2.15:1

Dry weight \*Lightest model available 99 lbs / 45 kg

CARB star rating 3

Emissions Star Rating 3

Bore and stroke 2.40 x 2.24" / 61 x 57 mm

Ignition CDI w/electronic spark advance

Fuel system Electronic Fuel Injection (EFI)

#### Disclaimer

Our company offers the details of this vessel in good faith but cannot guarantee or warrant the accuracy of this information nor warrant the condition of the vessel. A buyer should instruct his agents and/or surveyors to investigate such details buyer desires validated. This vessel is offered subject to prior sale, price change or withdrawal without notice.

---

Cooling system Water-cooled with thermostat  
Gear shift F-N-R  
Gearcase options Standard  
Trim system Manual  
Power Tilt  
Trim positions 6  
Exhaust system Through prop  
Shallow water drive Yes  
Shallow water trim range (degrees) 16  
Remote fuel tank (optional) Yes  
Remote fuel tank standard (gal / L) 6.6 / 25  
Color Phantom Black

---

## Features

Horse Power (hp) 115

---

## Engine Details

Engine Make Mercury  
Horse Power 20  
Drive Type Outboard

---

### Disclaimer

Our company offers the details of this vessel in good faith but cannot guarantee or warrant the accuracy of this information nor warrant the condition of the vessel. A buyer should instruct his agents and/or surveyors to investigate such details buyer desires validated. This vessel is offered subject to prior sale, price change or withdrawal without notice.